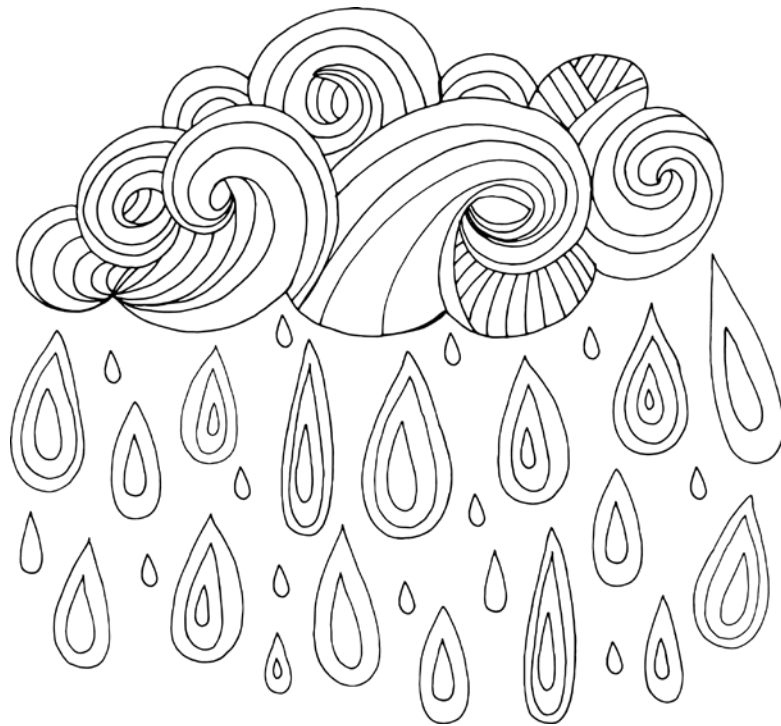
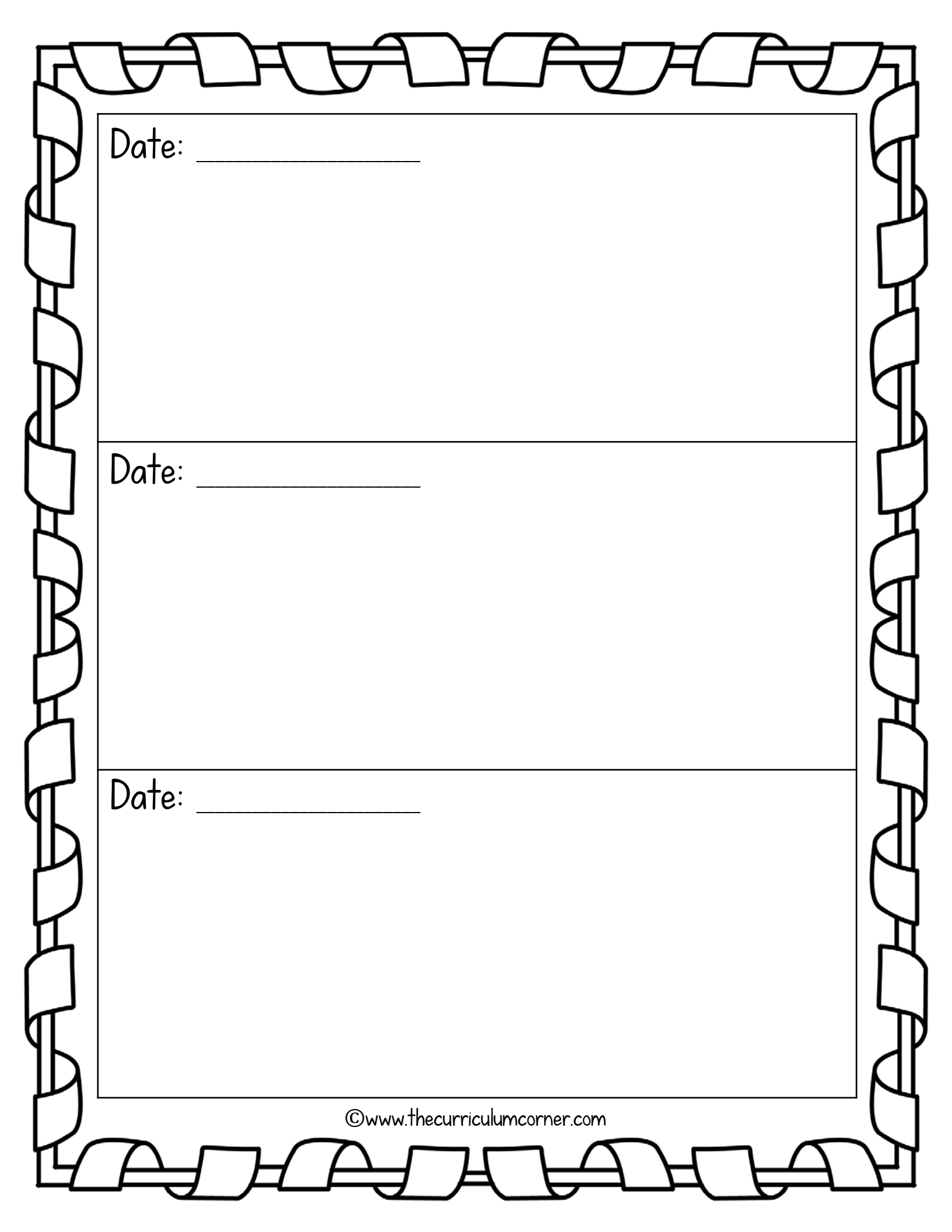


# APRIL BELL RINGERS



Name: \_\_\_\_\_



Date: \_\_\_\_\_

Date: \_\_\_\_\_

Date: \_\_\_\_\_



Date: \_\_\_\_\_

Date: \_\_\_\_\_

Date: \_\_\_\_\_

Date: \_\_\_\_\_



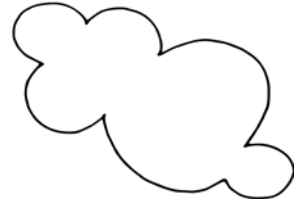
Date: \_\_\_\_\_



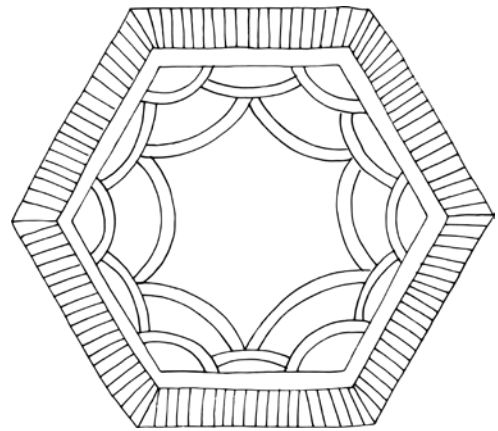
Date: \_\_\_\_\_



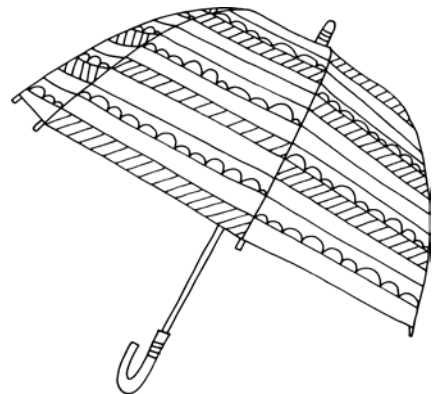
Date: \_\_\_\_\_



Date: \_\_\_\_\_



Date: \_\_\_\_\_



Date: \_\_\_\_\_



Date: \_\_\_\_\_



Date: \_\_\_\_\_

