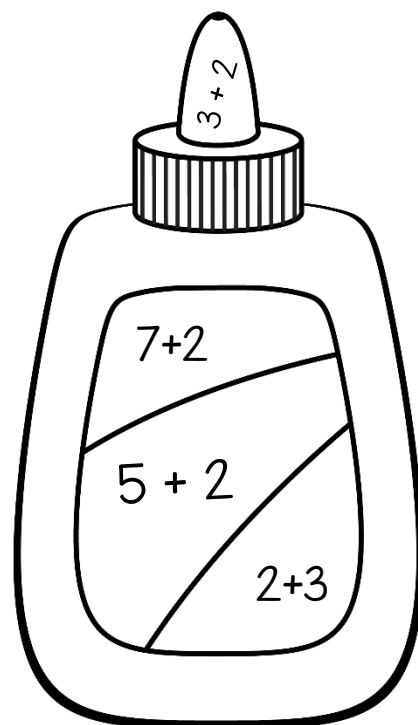
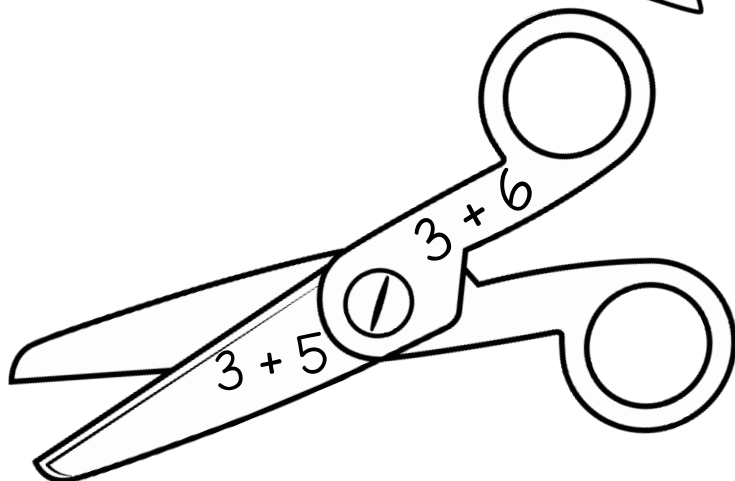
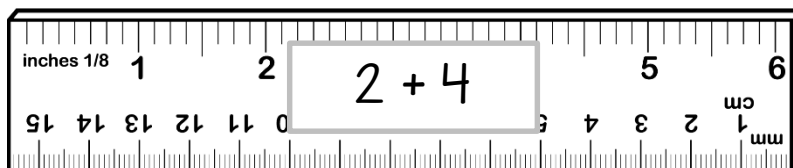
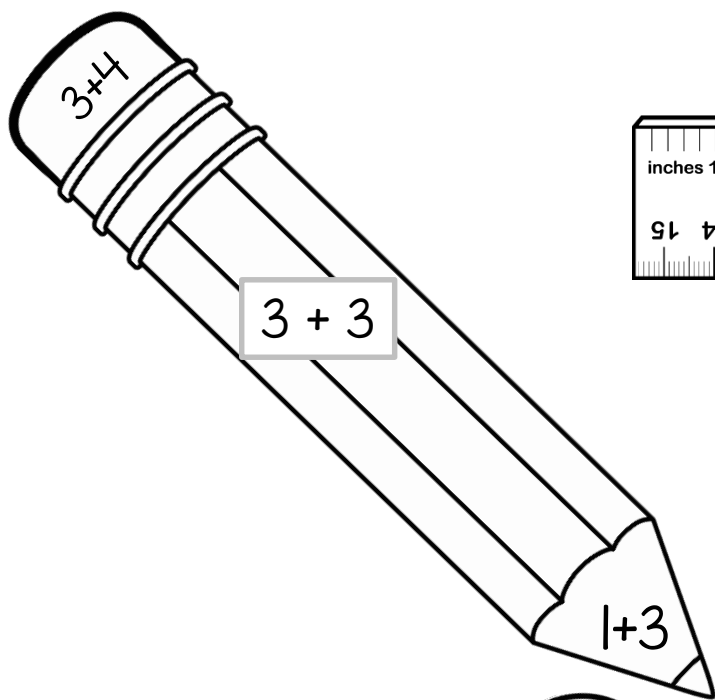


Name: \_\_\_\_\_

# Coloring Key Math

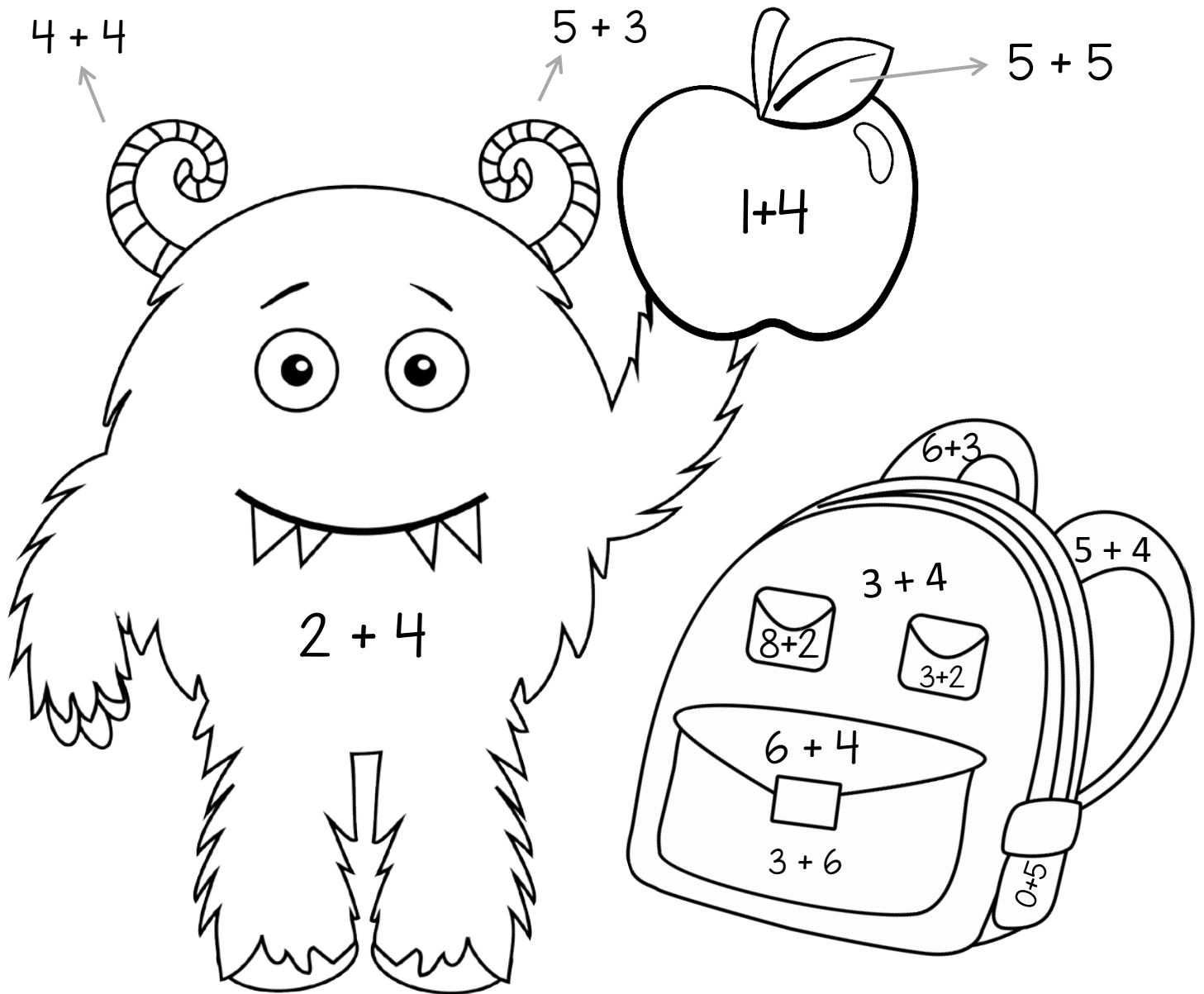
4 brown	5 orange	6 yellow
7 red	8 gray	9 green



Name: \_\_\_\_\_

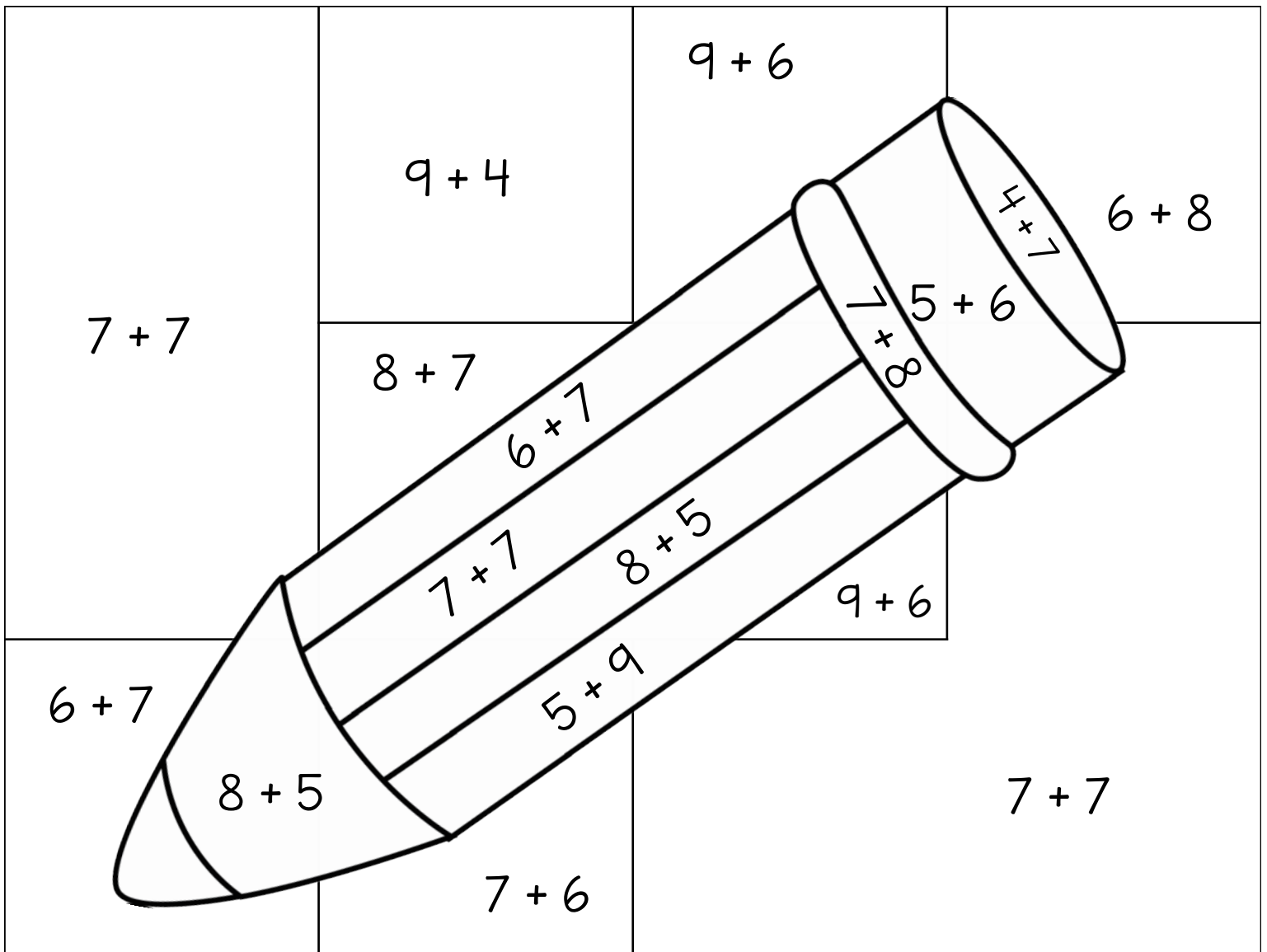
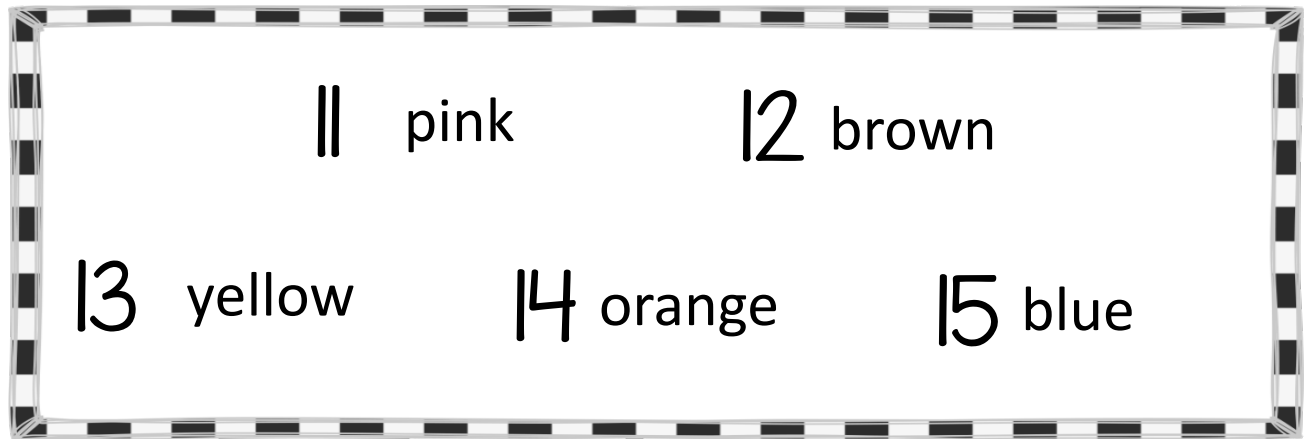
# Coloring Key Math

5 red	6 orange	7 yellow
8 purple	9 blue	10 green



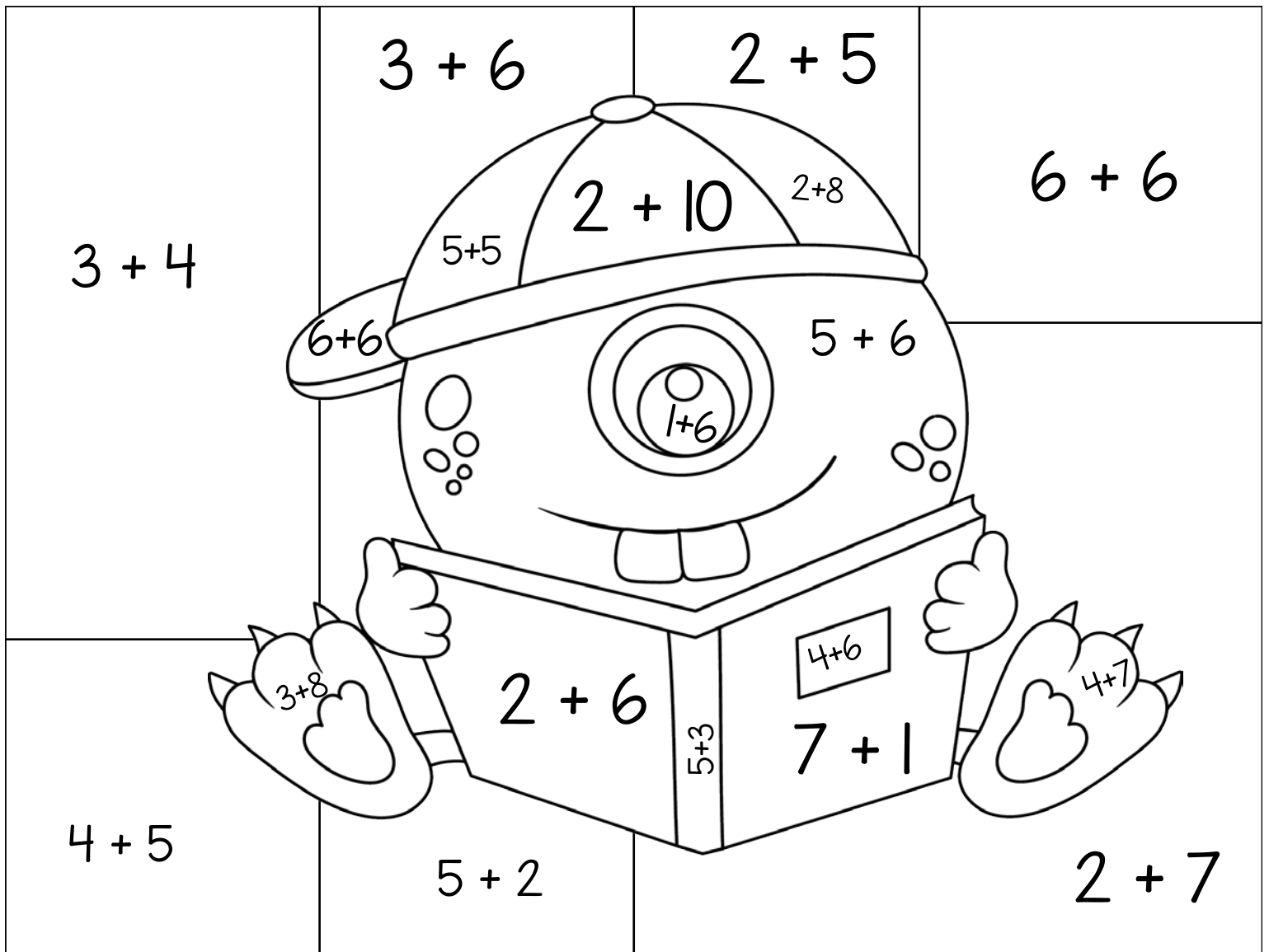
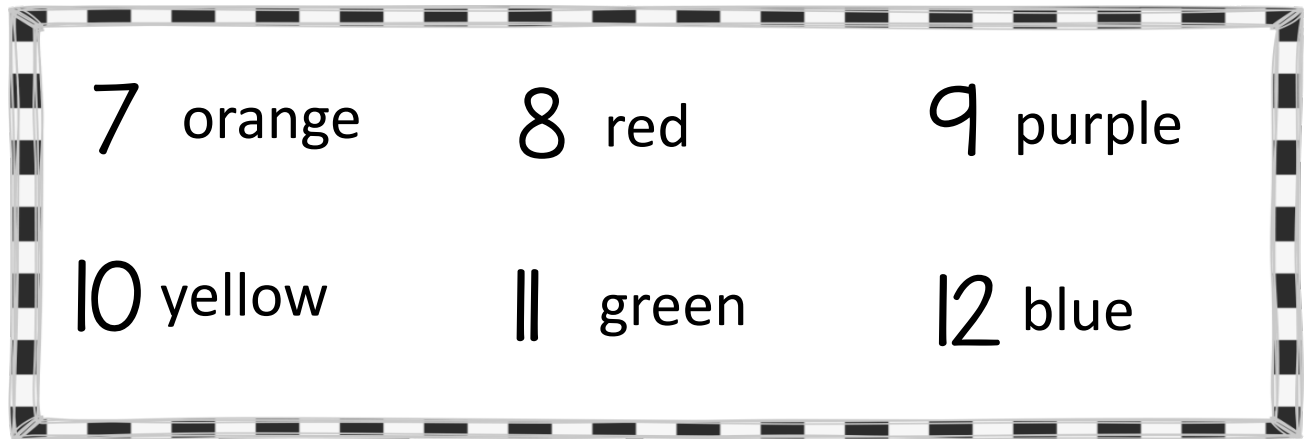
Name: \_\_\_\_\_

## Coloring Key Math



Name: \_\_\_\_\_

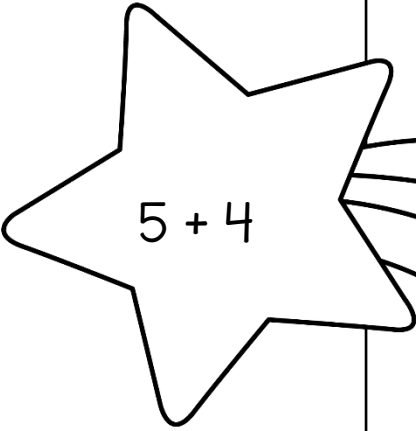
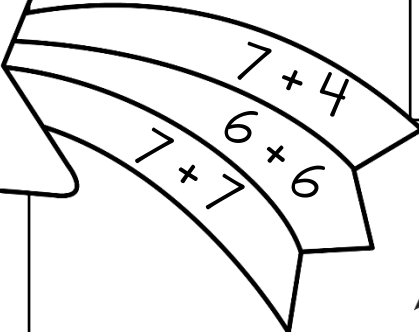
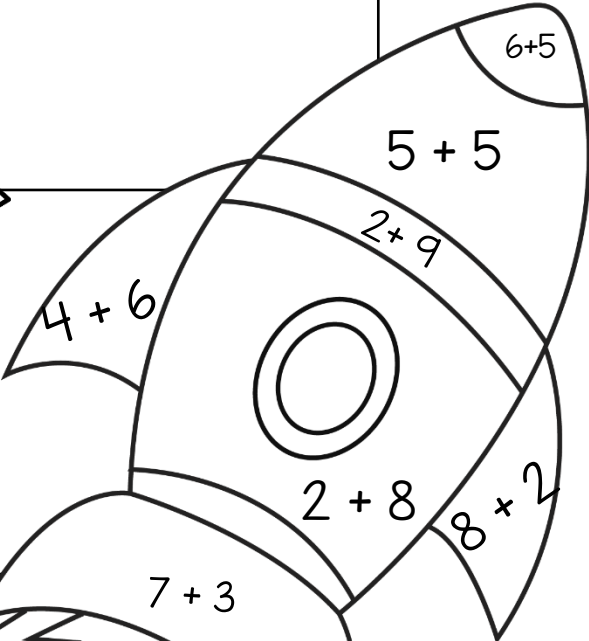
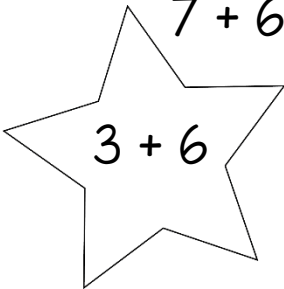
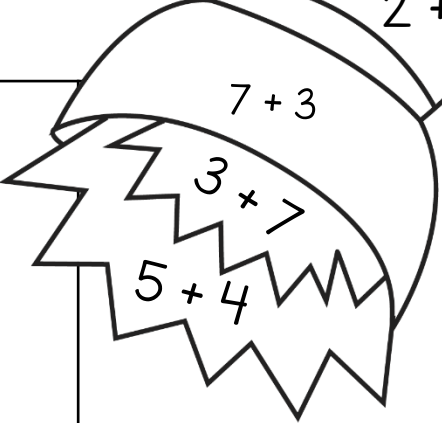
## Coloring Key Math



Name: \_\_\_\_\_

## Coloring Key Math

9	yellow	10	gray
11	red	12	green
13	purple	14	blue

$7 + 7$  $5 + 4$	$5 + 7$  $7 + 4$ $6 + 6$ $7 + 7$	$7 + 6$	$4 + 10$  $6 + 5$ $5 + 5$ $2 + 9$ $4 + 6$ $2 + 8$ $8 + 2$
$7 + 6$  $3 + 6$	$5 + 7$	$7 + 3$  $3 + 7$ $5 + 4$	$9 + 4$